

SOLUS

ELECTRIC PERFECTION



2022 COLLECTION - 2ND EDITION

ELECTRIC PERFECTION.

Introducing the Solus range from Vision E-Line; the ultimate in electric fires. Using cutting edge technology and innovation to provide instant heat, realistic flames, and adaptive ambient lighting to your living space.

The Solus range is the outstanding result of extensive research and development, meticulous attention to detail, and the highest standard of quality. With a host of unique and innovative features, these appliances are unrivalled in their class.

The 2022 Solus collection provides a complete range of options to create the ultimate fireplace which will transform your home, adding a touch of luxury that is perfectly tailored to reflect your own unique style.

01 VS75
PAGE 20

02 VS100
PAGE 24

03 VS130
PAGE 28

04 VS150
PAGE 32

05 VS180
PAGE 36



SOLUS.

Whether you are planning on creating the ultimate social hub, or simply increasing the wow-factor of your living room, make every detail matter with a Solus appliance from Vision E-line.

Seeing is believing. Scan the QR code below for a video experience that will change the way you think about electric fires.





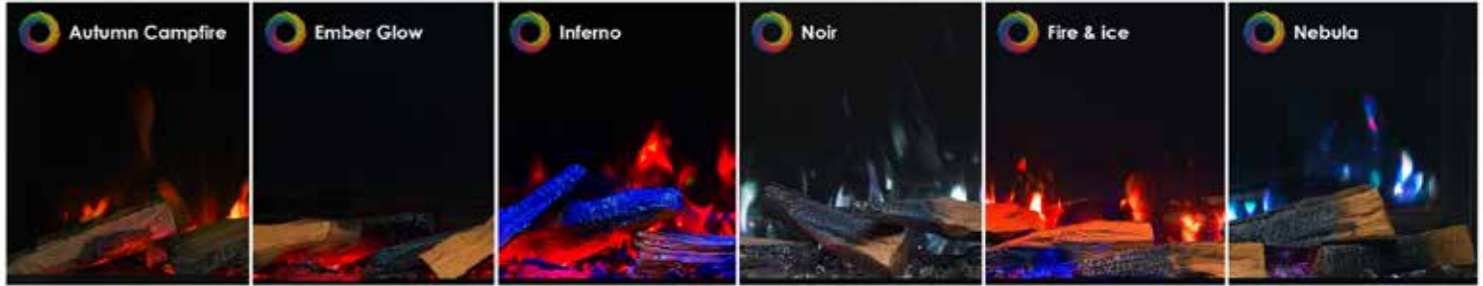
SETTING THE SCENE.

Our approach is to create beautiful, inspiring appliances that change the perception of a traditional electric fire.

With a Solus fire, you are in control of every aspect of your appliance, from the speed, colour and brightness of the entrancing flames to the enchanting crackling sounds of burning logs, or the complementing ambient lighting of your extended living space.

Our unique TriLight technology provides multi angled, fully customisable dynamic LED lighting to create thousands of unique colour and tonal combinations to the flames and fuel bed. Each can work in harmony with one another or can work independently to create a unique combination to create a truly unique atmosphere, all at the touch of a button.

To provide an insight into the possibilities, all Solus fires come with 6 programmed themes to highlight some of the fascinating lighting combinations that can be created, these are.





OPTIONAL AMBIENT LIGHTING.

Extend the atmosphere beyond the fire and into the room using a Solus ambient lighting kit, allowing you to create a further interactive dimension to the environment. This additional lighting features 15 colour modes and can be controlled by the appliance remote control or the via your smart device. The kit features a 3 metre length of RGB LED strip light and up to two kits can be simultaneously connected to a Solus appliance, making it the perfect addition to fire suites and media walls.





INSTANT HEAT AT YOUR FINGERTIPS.

Part of the Solus design ethos is to ensure that all appliances offer clear and simple controllability. Whilst functionality may have advanced and become more dynamic, we believe that intuitive interaction is paramount.

The Solus fires can be conveniently controlled in three ways:

- Manually using the multi-function panel discretely located on the appliance
- With the intuitive remote-control handset
- Through your smart device (such as phone or tablet) using Wi-Fi connectivity

With built in Wi-Fi connectivity, enhance your user experience with our smart app enabling you to control your appliance from anywhere! The app allows you to set tailored programmes, schedule on/off times, set temperatures, design custom light effects, plus much more.

The quick start heat option allows you to select low heat, high heat, or cool blow at the touch of a button. Whilst adaptive smart heating allows you to schedule the exact time and date you wish to heat your room, automatically adjusting the environment to reach and maintain the desired temperature.



INNOVATION, DESIGN & CREATIVITY.

Innovation, flair and creativity is the driving force behind Solus product development. Our design team is passionate about bringing new and exciting ideas to life by pushing the boundaries of traditional electric appliances with the amalgamation of exquisite styling and cutting edge technologies.



SMART TECHNOLOGY.

With Solus, the combination of functionality with applied smart technology creates the ultimate home heating experience. Your appliance will synchronise with your smart device, such as phone or tablet, putting you in complete control. The latest sensor technology helps to create our most efficient appliance ever, ensuring that the room is heated to the correct temperature at the correct time with optimum energy usage.

We are committed to a sustainable future, ensuring that our appliances make the most efficient use of energy. All Solus appliances benefit from temperature detection and regulation technology; if there is sudden drop in room temperature, perhaps caused by an open window or door, the appliance will temporarily deactivate any heating functions to avoid energy wastage and will reactivate when the window or door is closed.



THE COLLECTION.

Create something truly breath-taking with a Solus appliance. Space enhancing, stylish and practical, our appliances are available in a range of shapes and sizes that can be fitted to your exact specification.



VS75.

The VS75 is a versatile fire, perfectly at home in a contemporary setting or more traditional environments. The large glass viewing panel is perfectly suited for use with our modern furniture elements or with a complementing fireplace mantel, bringing a welcome sense of grand stature.





VS100.

Add luxury to your living space with the VS100, the ultimate home investment. The VS100 is the smallest of our landscape electric fires at 1 metre in length. With an option of inset, panoramic or corner aspect you will be spoilt for choice when creating your perfect fireplace.





VS130.

At 1.3 metres in length, the VS130 is ideal for a range of interiors with its minimalist design themes. Add a sense of wonder to your home and bring it to life with the touch of a button.





VS150.

Whether you want to update or build a contemporary dream home, the VS150 will transform any room with a sense of luxury. This fire is 1.5 metres in length and can be installed in either inset, panoramic or corner aspect allowing you full creative control.





VS180.

When you really want to create an impression, the VS180 really makes an impact. At 1.8 metres in length, this is the largest fire in the Solus range and is sure to create an eye catching centrepiece to any room.





PLINTHS & SHELVES

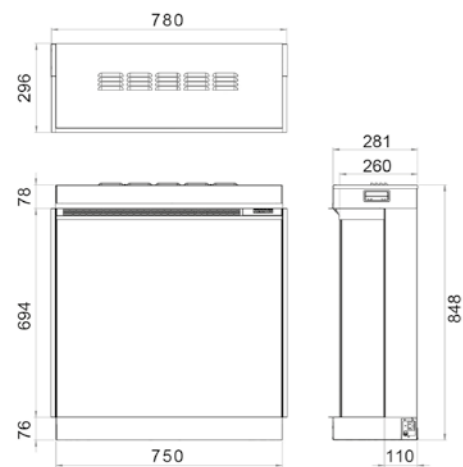
We have created a range of complimentary plinths and shelves flawlessly constructed from high-quality materials.

The classical crafted lines are a beautiful way to enhance any living space. The highly versatile plinths and shelves allow you to mix and match to suit your requirements. Design a unique fireplace offering the ultimate flexible approach by letting you build your fireplace the way you want to, please ask your approved stockists for details.

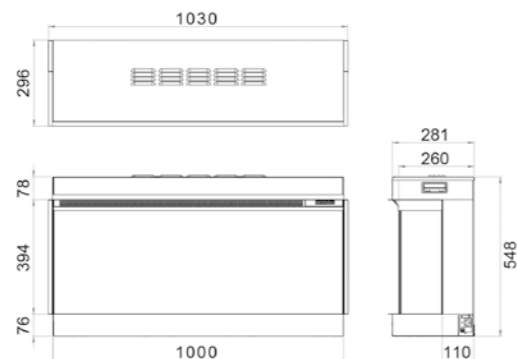
APPLIANCE DIMENSIONS.

All dimensions are in millimetres.

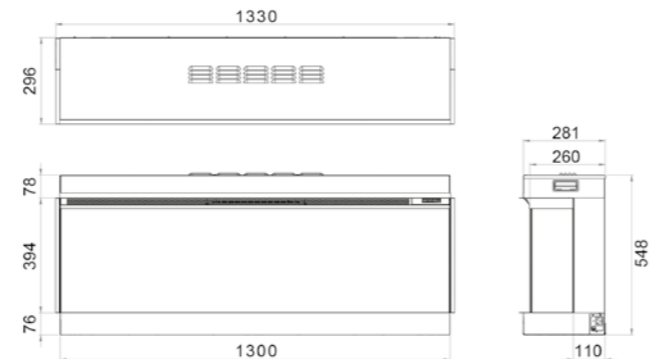
VS75



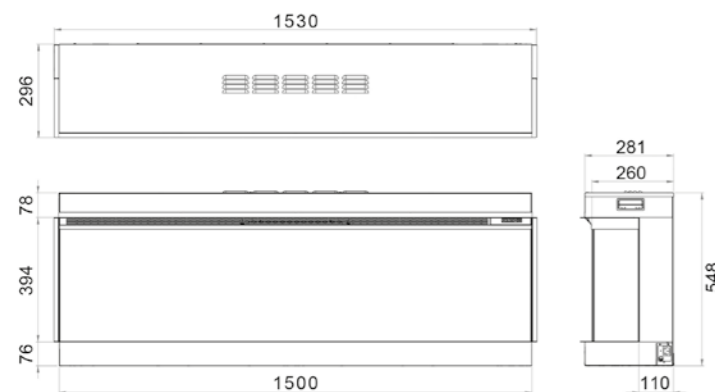
VS100



VS130



VS150



VS180

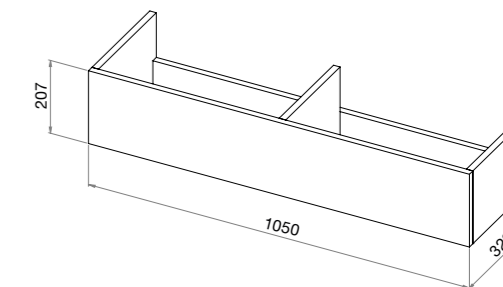


SHELVES & PLINTHS DIMENSIONS.

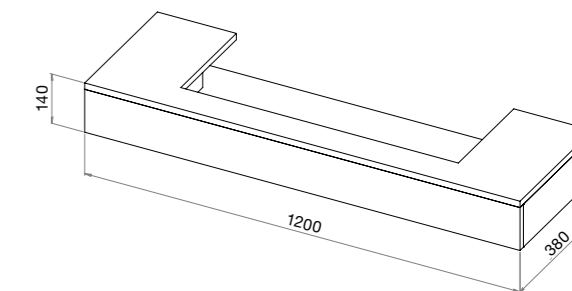
All dimensions are in millimetres.



VS75 Floor Plinth



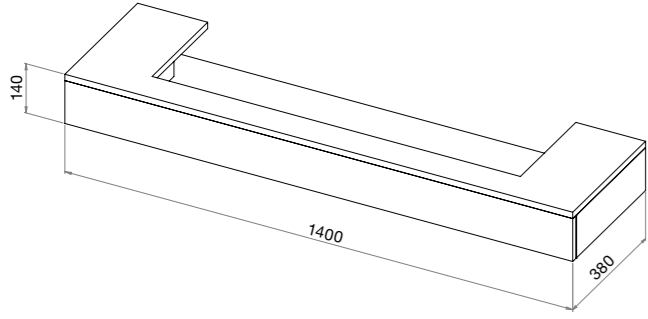
VS75 Bottom Shelf



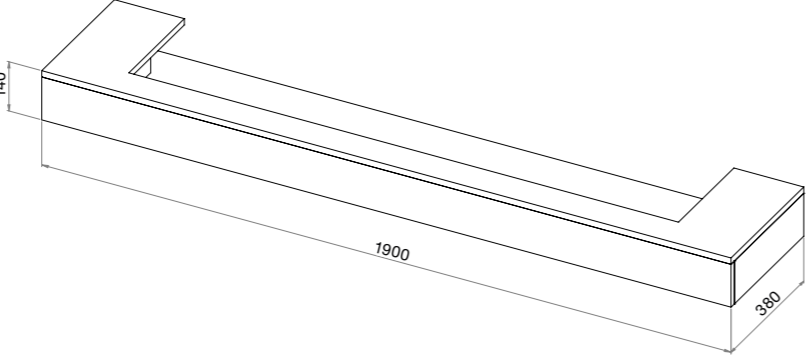
SHELVES & PLINTHS DIMENSIONS.

All dimensions are in millimetres.

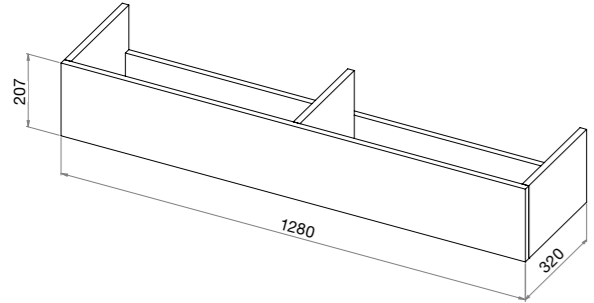
VS100 Bottom Shelf



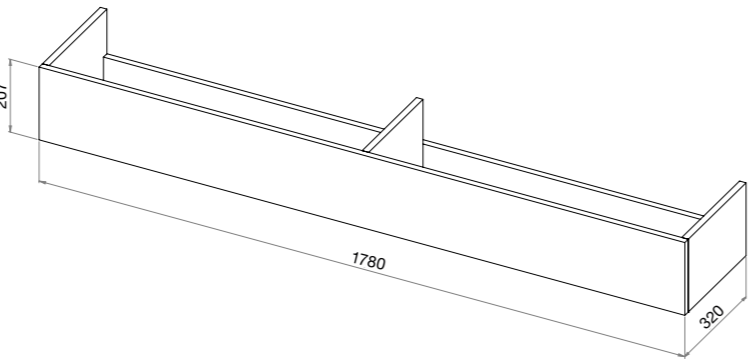
VS150 Bottom Shelf



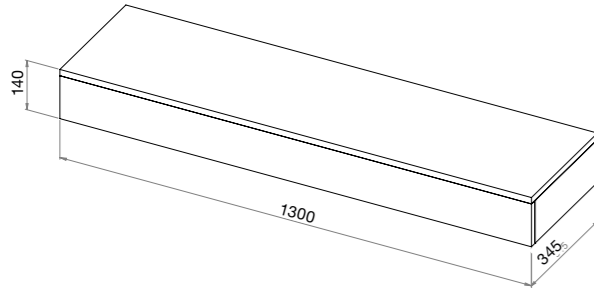
VS100 Floor Plinth



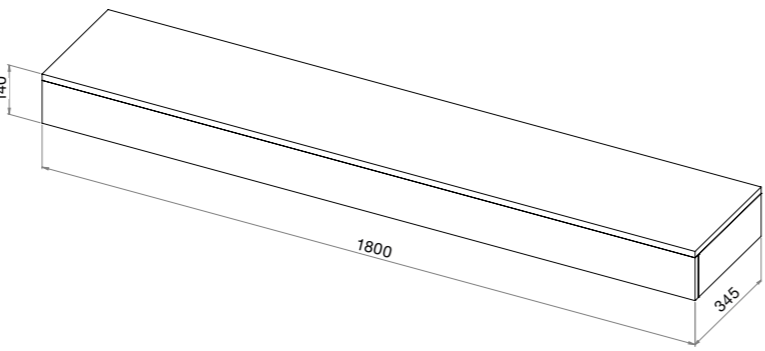
VS150 Floor Plinth



VS100 Top Shelf



VS150 Top Shelf



WARRANTY.

The Solus Collection is built on nearly 70 years of experience in the fireplace industry, using traditional skills alongside modern design methods to create unique, high quality stylish and functional products.

Quality excellence is an integral aspect of all our appliances, our meticulous attention to detail, high standards and quality craftsmanship means you can be confident in choosing a Vision E-Line appliance.

As standard Solus appliances come with a statutory 1-year warranty (parts & labour) when purchased through an authorised dealer. This can be extended for free to two years (parts only for year 2) by registering your appliance within 60 days of purchase. Appliances purchased outside of our authorised dealer network will carry a statutory 1-year non-extendable warranty.

Solus appliances purchased from one of our authorised retailers will also have the additional benefit of upgrading their warranty to 6 years, with our Premium Protect extended warranty. Details and full terms and conditions can be found at visionfires.co.uk

Please visit www.visionfires.co.uk/warranty to register your appliance or activate your extended warranty. Find your nearest solus approved stockist at visionfires.co.uk/vision-e-line-retailers/

VISION e-line

